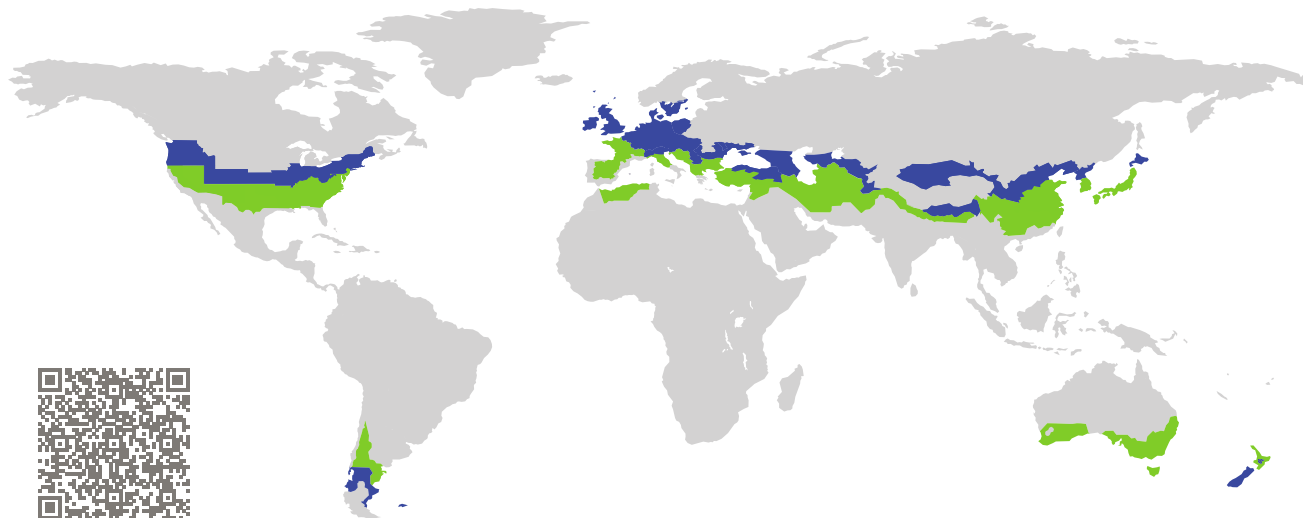


# CERTIFICATE

Certified Passive House Component

Component-ID 0399sl03 valid until 31st December 2024

Passive House Institute  
Dr. Wolfgang Feist  
64283 Darmstadt  
Germany

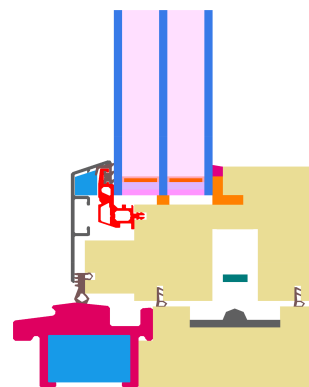


Category: **Sliding Door**  
Manufacturer: **pro Passivhausfenster GmbH,  
Oberaudorf,  
Germany**  
Product name: **smartwin sliding**

**This certificate was awarded based on the following  
criteria for the cool, temperate climate zone**

Comfort  $U_{SL} = 0.78 \leq 0.80 \text{ W}/(\text{m}^2 \cdot \text{K})$   
 $U_{SL, \text{installed}} \leq 0.85 \text{ W}/(\text{m}^2 \cdot \text{K})$   
with  $U_g = 0.70 \text{ W}/(\text{m}^2 \cdot \text{K})$

Hygiene  $f_{Rsi=0.25} \geq 0.70$



Passive House  
efficiency class

phE

phD

phC

phB

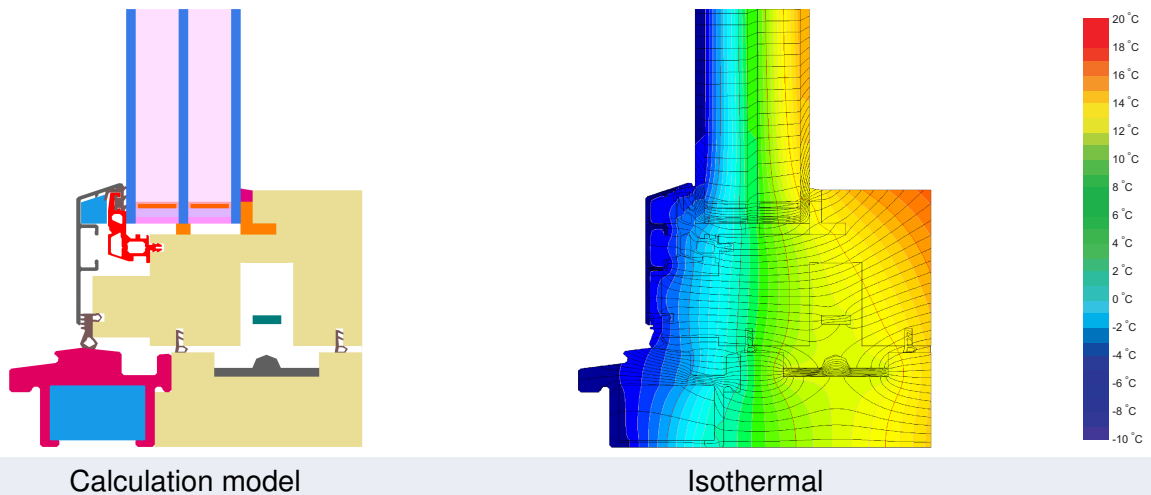
phA

cool, temperate climate



**CERTIFIED  
COMPONENT**

Passive House Institute



### Description

Timber Window frame, rainprotected by aluminium cladding, insulated by woodfibre board (0,04 and 0,05W/(mK)). Used Pane: 48 mm (4/18/4/18/4), intersection of the glass: 15 mm.

### Explanation








The window U-values were calculated for the test window size of 2.40 m × 2.50 m with  $U_g = 0.70 \text{ W}/(\text{m}^2 \cdot \text{K})$ . If a higher quality glazing is used, the window U-values will improve as follows:

Glazing	$U_g =$	0.70	0.66	0.60	0.54	$\text{W}/(\text{m}^2 \cdot \text{K})$
		↓	↓	↓	↓	
Window	$U_W =$	0.78	0.75	0.70	0.65	$\text{W}/(\text{m}^2 \cdot \text{K})$


Transparent building components are classified into efficiency classes depending on the heat losses through the opaque part. The frame U-Values, frame widths, thermal bridges at the glazing edge, and the glazing edge lengths are included in these heat losses. A more detailed report of the calculations performed in the context of certification is available from the manufacturer.

The Passive House Institute has defined international component criteria for seven climate zones. In principle, components which have been certified for climate zones with higher requirements may also be used in climates with less stringent requirements. In a particular climate zone it may make sense to use a component of a higher thermal quality which has been certified for a climate zone with more stringent requirements.

Further information relating to certification can be found on [www.passivehouse.com](http://www.passivehouse.com) and [passipedia.org](http://passipedia.org).

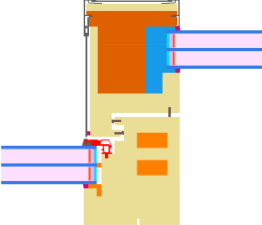
Frame values		Frame width $b_f$ mm	$U$ -value frame $U_f$ W/(m <sup>2</sup> · K)	$\Psi$ -glazing edge $\Psi_g$ W/(m · K)	Temp. Factor $f_{Rsi=0.25}$ [-]
Mullion 1 casement	(1M1) 	110	1.29	0.023	0.70
Bottom fixed	(FB1) 	108	0.66	0.022	0.70
Top fixed	(FH1) 	86	0.53	0.023	0.70
Lateral fixed	(FJ1) 	86	0.53	0.023	0.70
Top	(OH1) 	92	0.84	0.022	0.70
Lateral	(OJ1) 	85	0.81	0.022	0.70
Threshold	(OT2) 	117	1.08	0.025	0.70


Spacer: SWISSPACER V      Secondary seal: -



**Mullion**  
1 casement


$b_f = 110 \text{ mm}$   
 $U_f = 1.29 \text{ W/(m}^2 \cdot \text{K)}$   
 $\Psi_g = 0.023 \text{ W/(m} \cdot \text{K)}$   
 $f_{Rsi} = 0.70$





**Bottom**  
fixed

$b_f = 108 \text{ mm}$   
 $U_f = 0.66 \text{ W/(m}^2 \cdot \text{K)}$   
 $\Psi_g = 0.022 \text{ W/(m} \cdot \text{K)}$   
 $f_{Rsi} = 0.70$



**Top**  
fixed

$b_f = 86 \text{ mm}$   
 $U_f = 0.53 \text{ W/(m}^2 \cdot \text{K)}$   
 $\Psi_g = 0.023 \text{ W/(m} \cdot \text{K)}$   
 $f_{Rsi} = 0.70$



### Lateral fixed

$$b_f = 86 \text{ mm}$$
$$U_f = 0.53 \text{ W}/(\text{m}^2 \cdot \text{K})$$
$$\Psi_g = 0.023 \text{ W}/(\text{m} \cdot \text{K})$$
$$f_{Rsi} = 0.70$$



### Top

$$b_f = 92 \text{ mm}$$
$$U_f = 0.84 \text{ W}/(\text{m}^2 \cdot \text{K})$$
$$\Psi_g = 0.022 \text{ W}/(\text{m} \cdot \text{K})$$
$$f_{Rsi} = 0.70$$



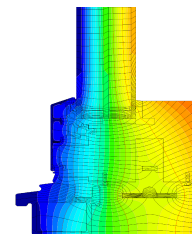
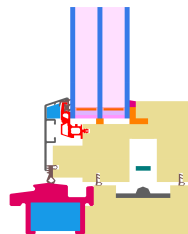
### Lateral

$$b_f = 85 \text{ mm}$$
$$U_f = 0.81 \text{ W}/(\text{m}^2 \cdot \text{K})$$
$$\Psi_g = 0.022 \text{ W}/(\text{m} \cdot \text{K})$$
$$f_{Rsi} = 0.70$$



### Threshold

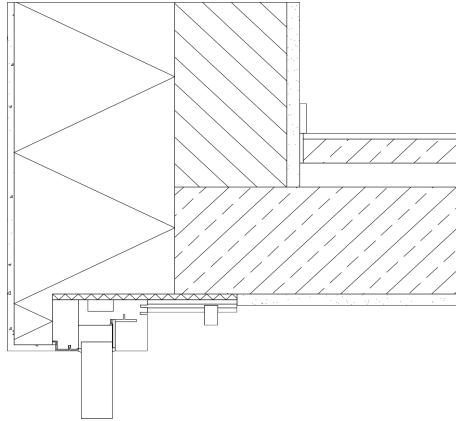
$$b_f = 117 \text{ mm}$$
$$U_f = 1.08 \text{ W}/(\text{m}^2 \cdot \text{K})$$
$$\Psi_g = 0.025 \text{ W}/(\text{m} \cdot \text{K})$$
$$f_{Rsi} = 0.70$$



## Validated installations

Exterior insulation and finishing system (EIFS) (fixed glazed)

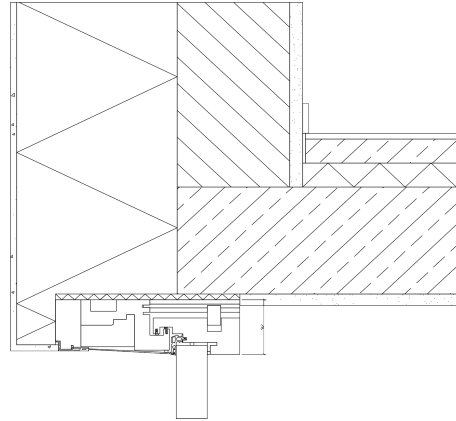
$$U_1 = 0.13 \text{ [W/(m}^2 \cdot \text{K)]}$$



$$\Psi_{\text{install}} = -0.00 \text{ W/(m} \cdot \text{K)}$$

Exterior insulation and finishing system (EIFS) (operable)

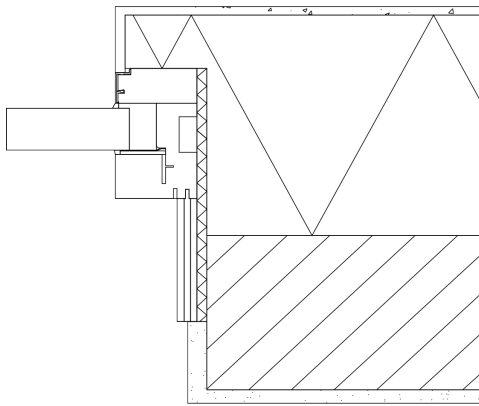
$$U_1 = 0.13 \text{ [W/(m}^2 \cdot \text{K)]}$$



$$\Psi_{\text{install}} = 0.03 \text{ W/(m} \cdot \text{K)}$$

Exterior insulation and finishing system (EIFS) side (fixed glazed)

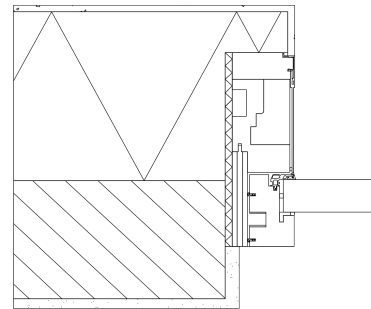
$$U_1 = 0.13 \text{ [W/(m}^2 \cdot \text{K)]}$$



$$\Psi_{\text{install}} = -0.00 \text{ W/(m} \cdot \text{K)}$$

Exterior insulation and finishing system (EIFS) side (operable)

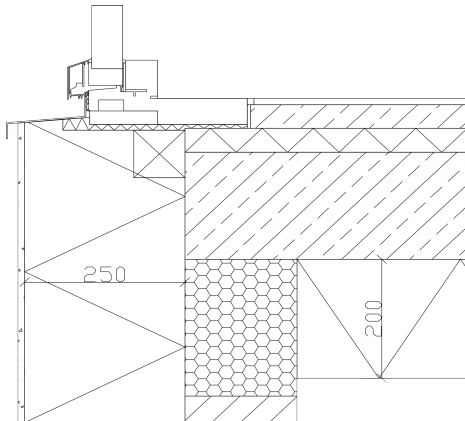
$$U_1 = 0.13 \text{ [W/(m}^2 \cdot \text{K)]}$$



$$\Psi_{\text{install}} = 0.04 \text{ W/(m} \cdot \text{K)}$$

Exterior insulation and finishing system (EIFS) bottom (fixed)

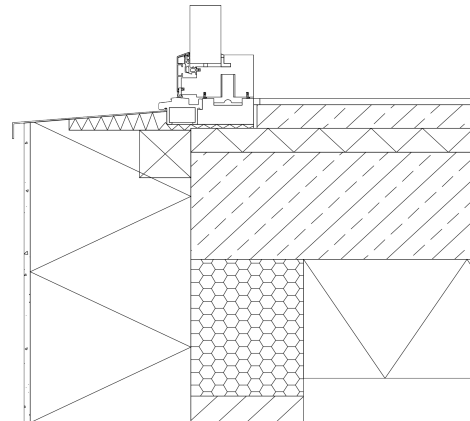
$$U_1 = 0.13 \quad U_2 = 0.14 \text{ [W/(m}^2 \cdot \text{K)]}$$



$$\Psi_{\text{install}} = 0.06 \text{ W/(m} \cdot \text{K)}$$

Exterior insulation and finishing system (EIFS) bottom (operable)

$$U_1 = 0.13 \quad U_2 = 0.14 \text{ [W/(m}^2 \cdot \text{K)]}$$



$$\Psi_{\text{install}} = 0.06 \text{ W/(m} \cdot \text{K)}$$

